

- Brass Hexagonal Threaded Inserts - deeper grooves for firmer bonding to insulators
- Glass reinforced polyester
- Insulators comply to Glow Wire Test 960° C

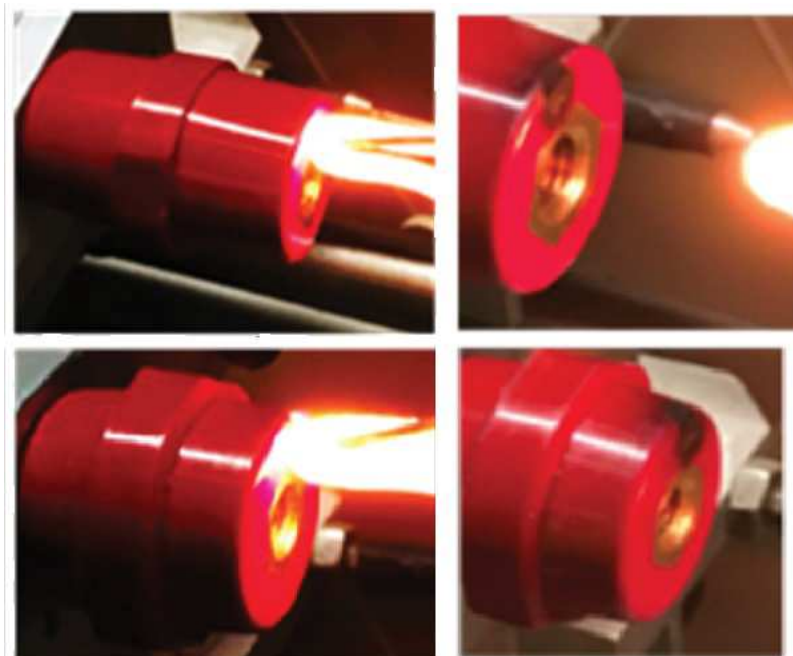


Material

Glass Reinforced Polyester

Specific Gravity		1.8 - 1.9
Tensile Strength	(Kgs)	400 – 425
Compression Strength	(Kgs / cm ²)	1100 – 1250
Flexural Strength	(Kgs/cm ²)	700
Impact Strength	(Kgs/cm ²)	18-22
Breakdown Voltage	(kV/mm)	11
Arc Resistance	(Seconds)	180
Track Resistance	(Volts)	1000
Water Absorption	(Percentage)	<0.2
Surface Resistivity Log 10 Ohms	(cm)	12
Volume Resistivity Log 10 Ohms	(cm)	13

Tested and complies in accordance to **AS/NZS 61439.1** 2016 Clause 10.2.3.2 and references within



960° Glow Wire Testing

Part	Brass Thread Size	Height (H)	Width Flats (W)	Max. Width (P)	Diameter (Ø Min)	Brass Insert Depth (TD)	Maximum Torque	Drawing
SM-25-M5	M5	25.0mm	27.0mm	30.0mm	24.0mm	8.0mm	7.0 Nm	Fig 1
SM-25-M6	M6	25.0mm	27.0mm	30.0mm	24.0mm	9.0mm	7.0 Nm	Fig 1
SM-30-M8	M8	30.0mm	33.0mm	35.0mm	28.0mm	10.0mm	27.0 Nm	Fig 1
SM-30-M10	M10	30.0mm	33.0mm	35.0mm	28.0mm	10.0mm	27.0 Nm	Fig 1
SM-35-M8	M8	35.0mm	33.0mm	35.0mm	28.0mm	10.0mm	27.0 Nm	Fig 1
SM-35-M10	M10	35.0mm	34.0mm	35.0mm </td <td>28.0mm</td> <td>10.0mm</td> <td>27.0 Nm</td> <td>Fig 1</td>	28.0mm	10.0mm	27.0 Nm	Fig 1
SM-40-M8	M8	40.0mm	40.0mm	42.0mm	34.0mm	10.0mm	27.0 Nm	Fig 1
SM-40-M10	M10	40.0mm	40.0mm	42.0mm	32.0mm	10.0mm	27.0 Nm	Fig 1
SM-51-M8	M8	51.0mm	36.0mm	38.0mm	30.0mm	15.0mm	27.0 Nm	Fig 1
SM-51-M10	M10	51.0mm	36.0mm	38.0mm	30.0mm	17.0mm	27.0 Nm	Fig 1
SM-51-M12	M12	51.0mm	36.0mm	38.0mm	30.0mm	16.0mm	27.0 Nm	Fig 1
SM-63-M10	M10	63.0mm	No Flats	26.0mm	26.0mm	17.0mm	27.0 Nm	Fig 2
SM-76-M8	M8	76.0mm	48.0mm	51.0mm	34.0mm	15.0mm	27.0 Nm	Fig 1
SM-76-M10	M10	76.0mm	48.0mm	51.0mm	34.0mm	16.0mm	27.0 Nm	Fig 1
SM-76-M12	M12	76.0mm	51.0mm	55.0mm	34.0mm	15.0mm	27.0 Nm	Fig 1

Tested and complies in accordance to **AS/NZS 61439.1** 2016 Clause 10.2.3.2 and references within

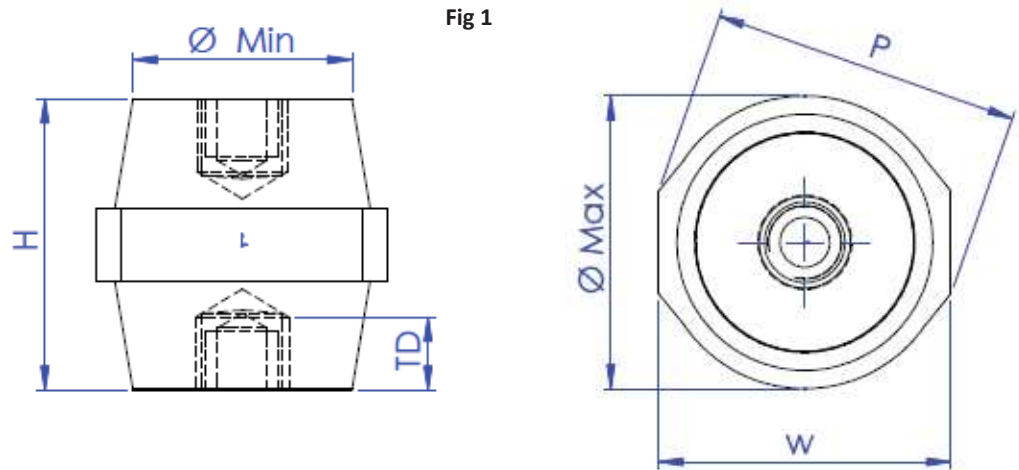


Fig 1

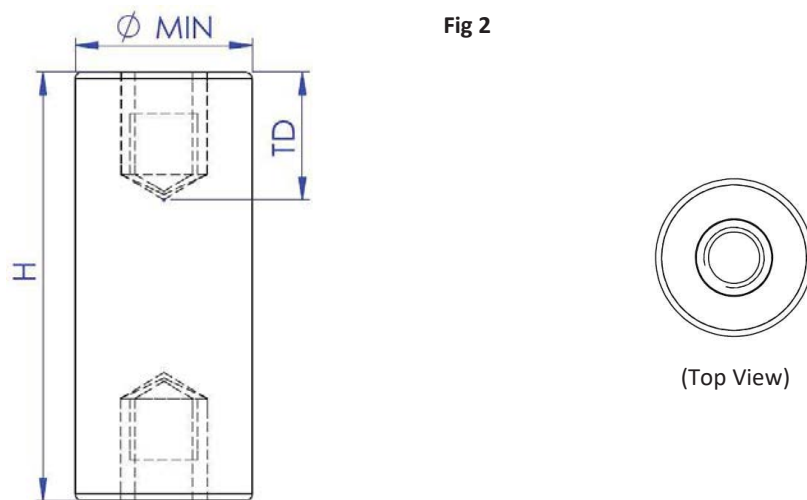


Fig 2