

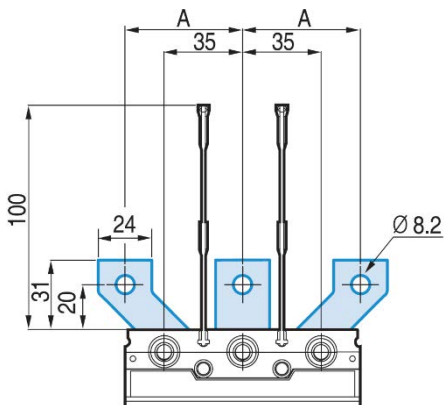


Terminal spreader

Terminal spreaders are used to adapt TS circuit breakers to switchboards or other applications that require an increased terminal pitch.

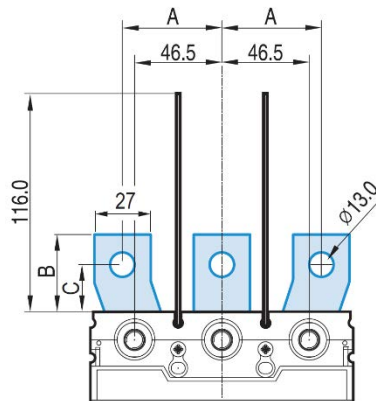
These can be connected directly to circuit breakers without any modification

Dimensions for TS100/160/250
LS-SP23-TS



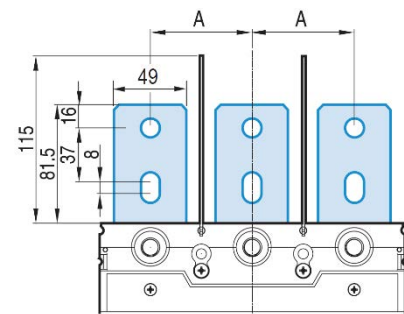
Size A
45 mm

Dimensions for TS400/630
LS-SP33-TS



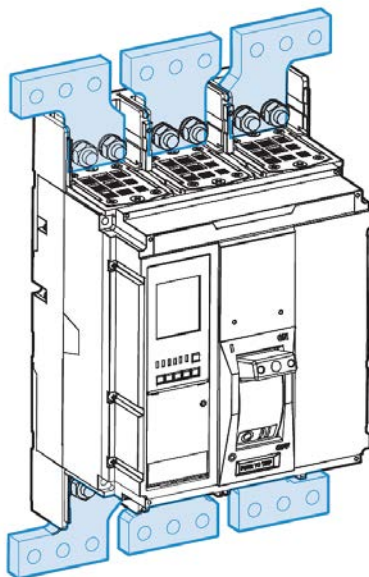
Size A	52.5 mm
Size B	41 mm
Size C	25 mm

Dimensions for TS800
LS-SP43-TS

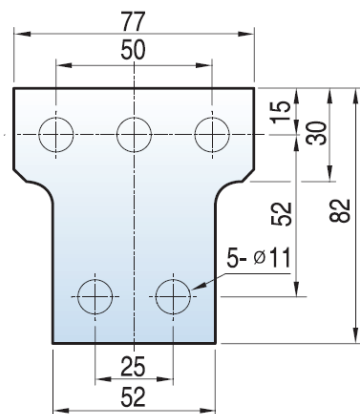


Size A
70 mm

Dimensions for TS1000/1250/1600
Part no.- LS-SP53A-TS



Middle busbar for 3P



Left or right busbar for 3P

