

Direct and External Rotary Handles



Direct and External Rotary Handles

The rotary handle operating mechanism is available in either the direct version or in the extended version on the compartment door. It is always fitted with a compartment door lock and it is also available with a key lock to avoid tampering with the MCCB.

**See below table for door lock and key lockable rotary handles

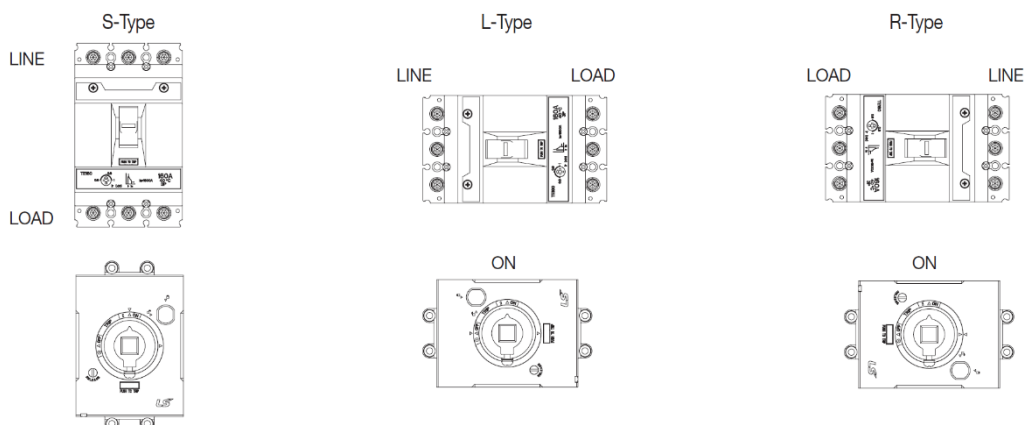
Rotary Handle Range

Part Number	Description	Suitable MCCB
LS-DH2-S-TS	Direct rotary Handle	TS100/160/250
LS-DH3-S-TS	Direct rotary Handle	TS400/630
LS-DH5-S-TS	Direct rotary Handle	TS1000/1250/1600
LS-DHK5-TS	Direct rotary Handle with key lockable attachment	TS1000/1250/1600
LS-EH2-S-TS	External rotary handle and shaft	TS100/160/250
LS-EH3-S-TS	External rotary handle and shaft	TS400/630
LS-EH4-S-TS	External rotary handle and shaft	TS800
LS-EH5-S-TS	External rotary handle and shaft	TS1000/1250/1600

Degree of Protection

Type	Degree of protection	IP
Circuit Breaker with cover frame and direct rotary handle	The access probe of 1.0mm diameter shall not penetrate.	IP40
Circuit Breaker with cover frame and external rotary handle	Totally protected against ingress of dust and water jets from any direction	IP65

Mounting Position

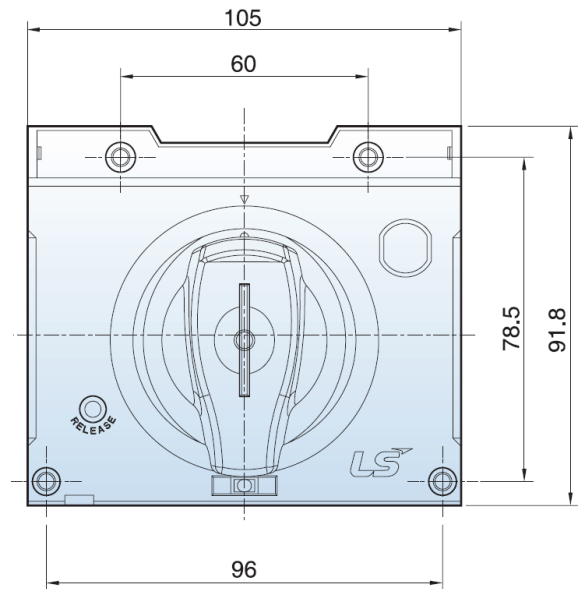
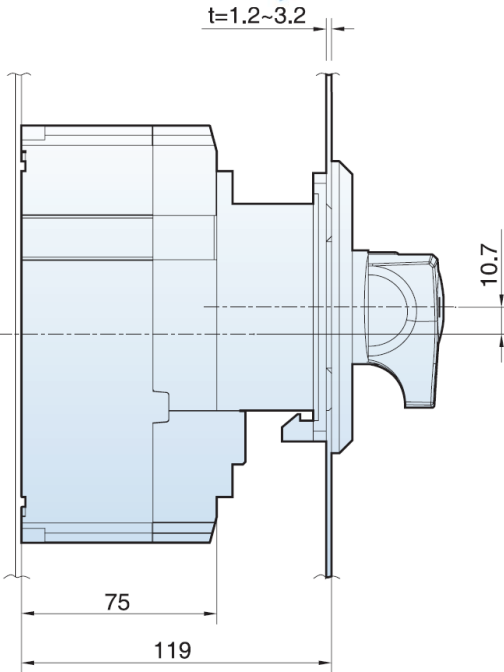
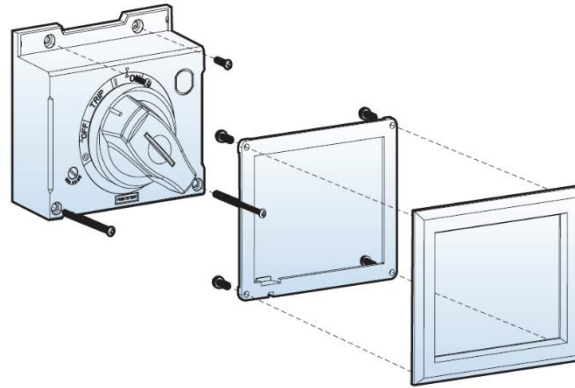
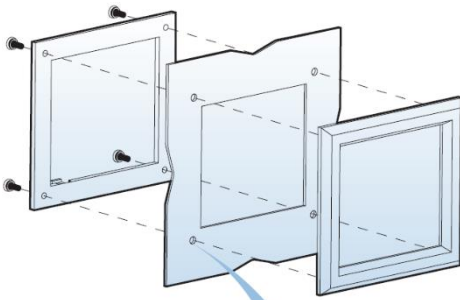


Direct and External Rotary Handles

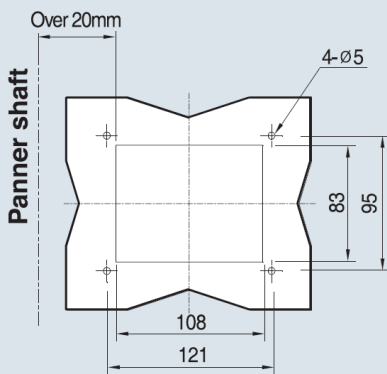
LS-DH2-S-TS

Direct Rotary Handle to suit TS100/160/250

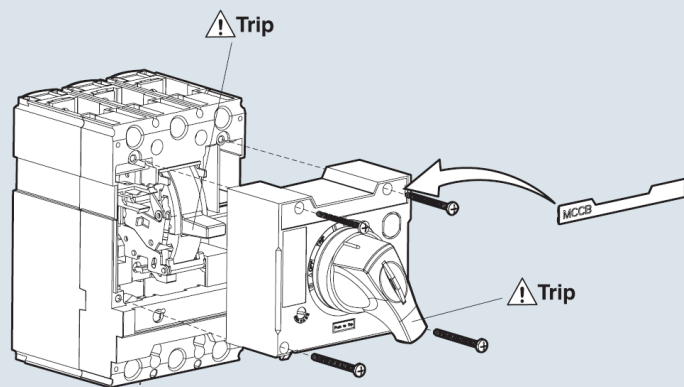
[mm]



Panel drilling



Way of installation

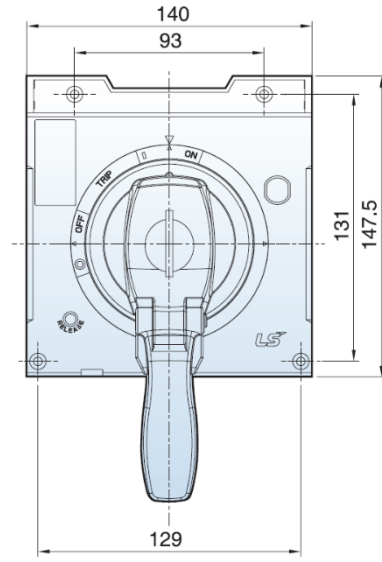
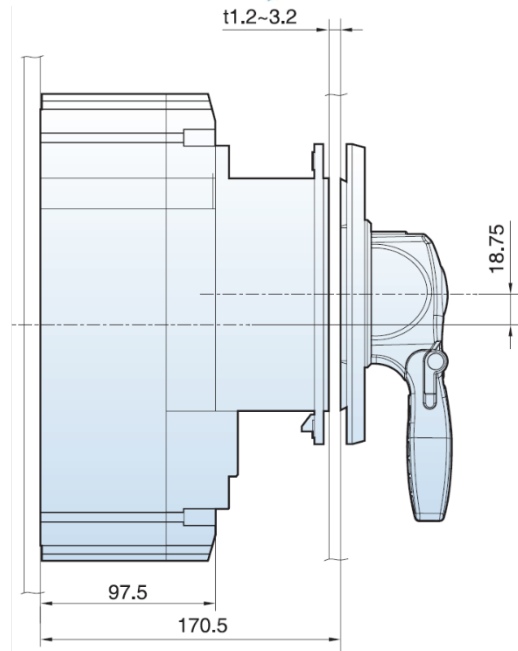
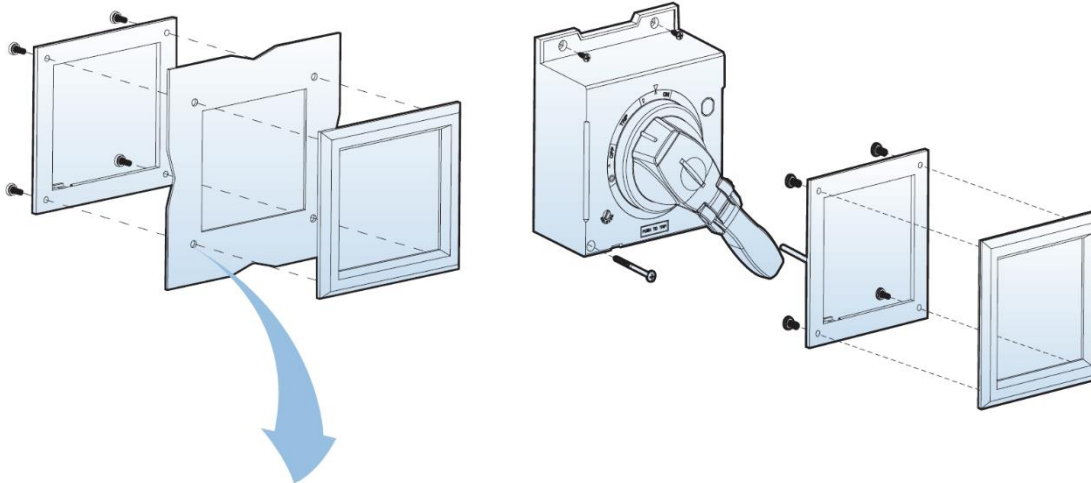


Direct and External Rotary Handles

LS-DH3-S-TS

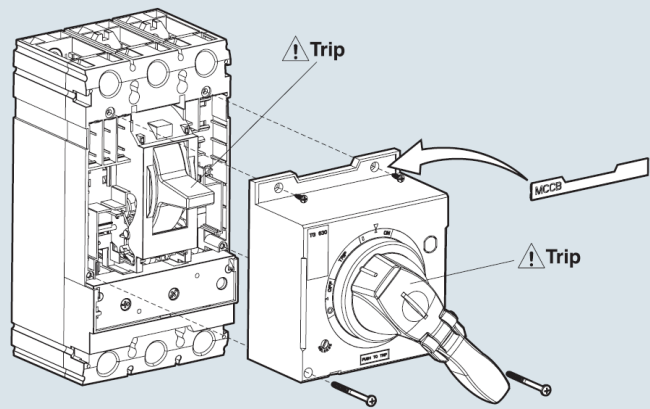
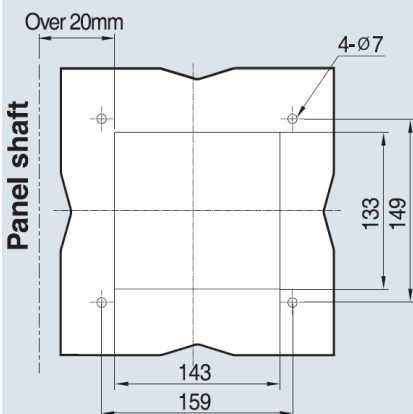
Direct Rotary Handle to suit TS400/630

[mm]



Panel drilling

Way of installation

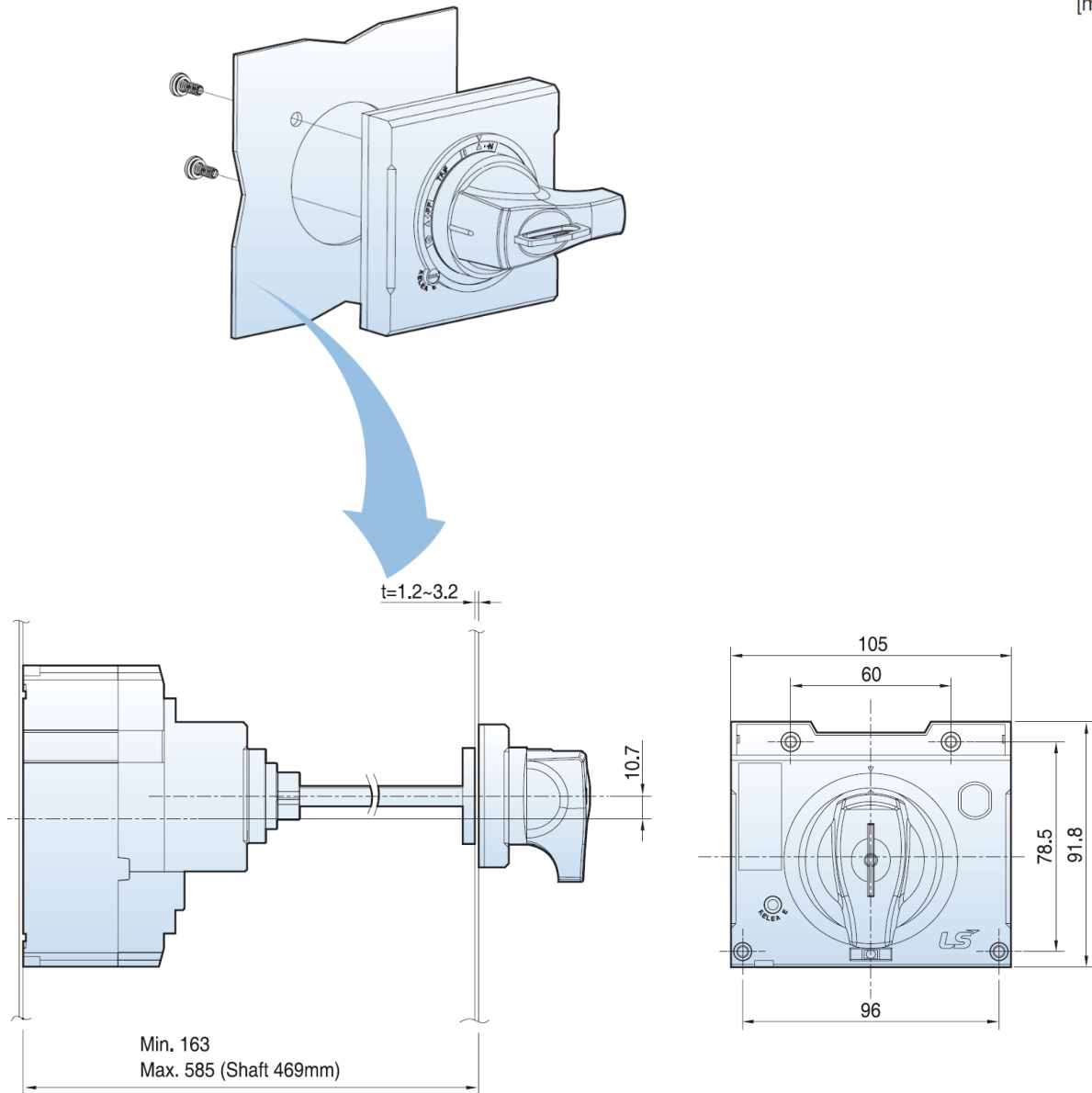


Direct and External Rotary Handles

LS-EH2-S-TS

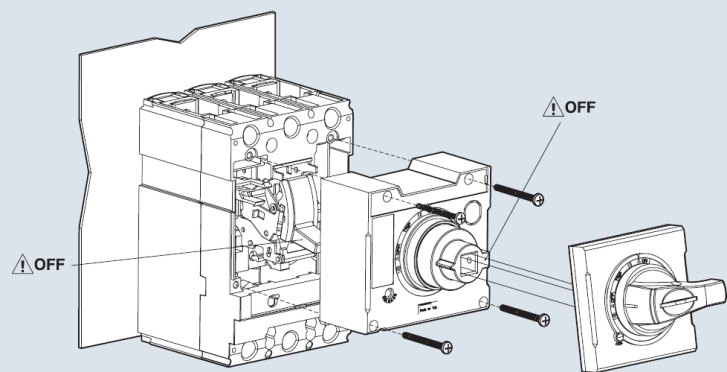
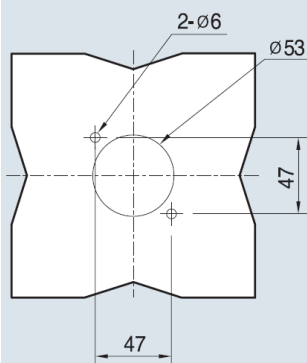
Extended Rotary Handle to suit TS100/160/250

[mm]



Panel drilling

Way of installation

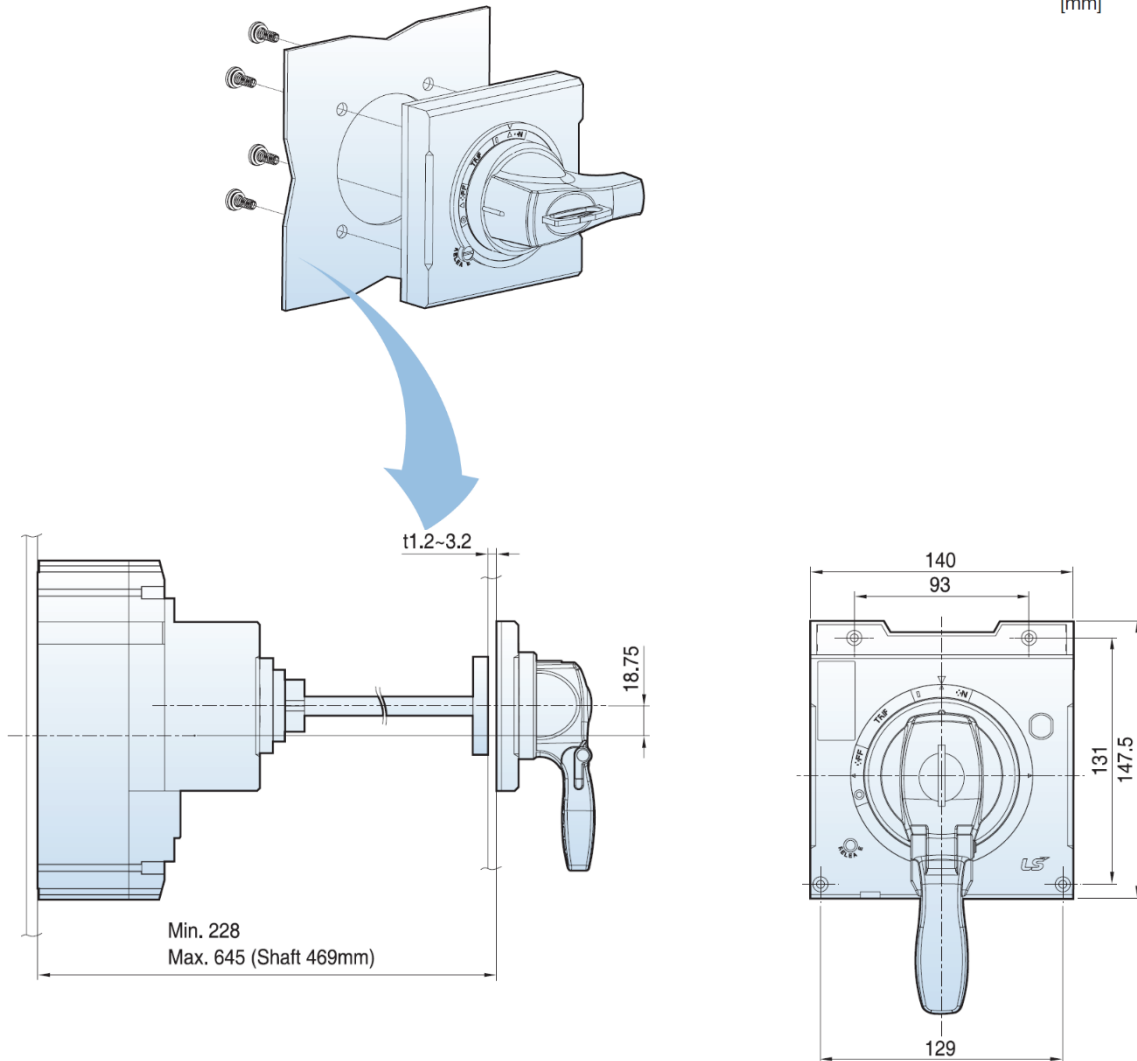


Direct and External Rotary Handles

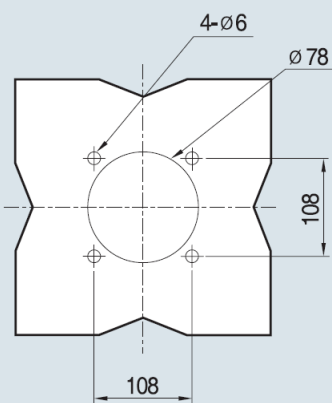
LS-EH3-S-TS

Extended Rotary Handle to suit TS400/630

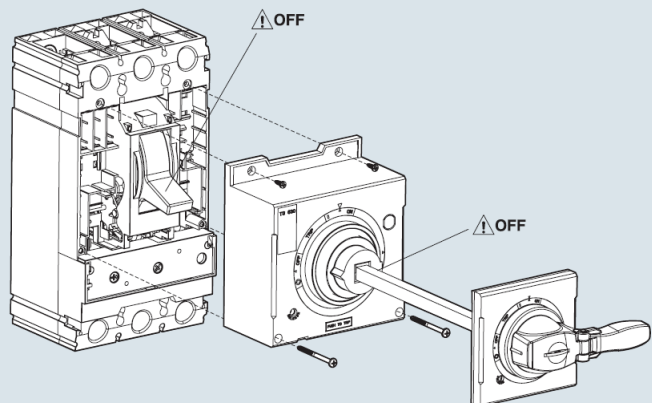
[mm]



Panel drilling



Way of installation

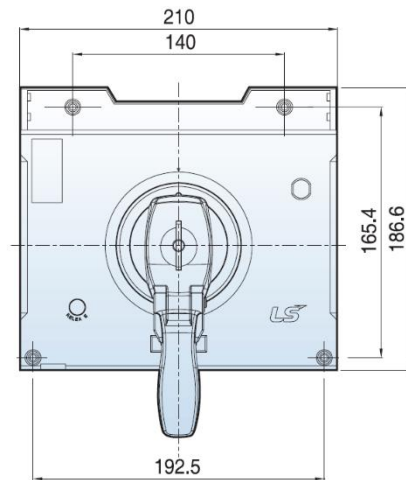
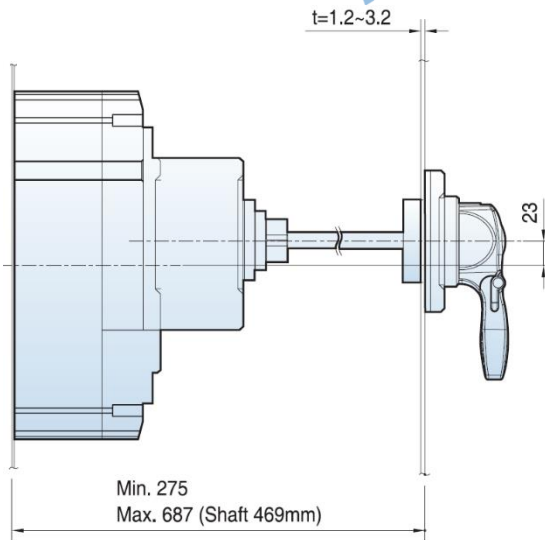
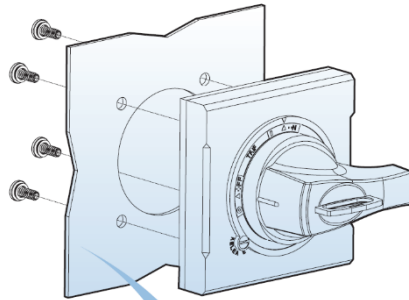


Direct and External Rotary Handles

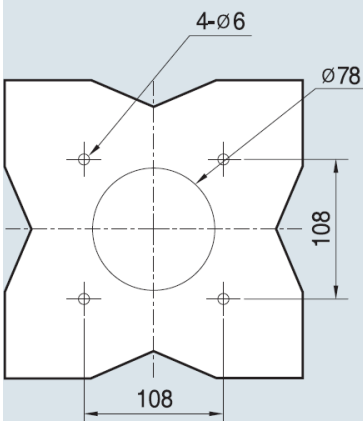
LS-EH4-S-TS

Extended Rotary Handle to suit TS800

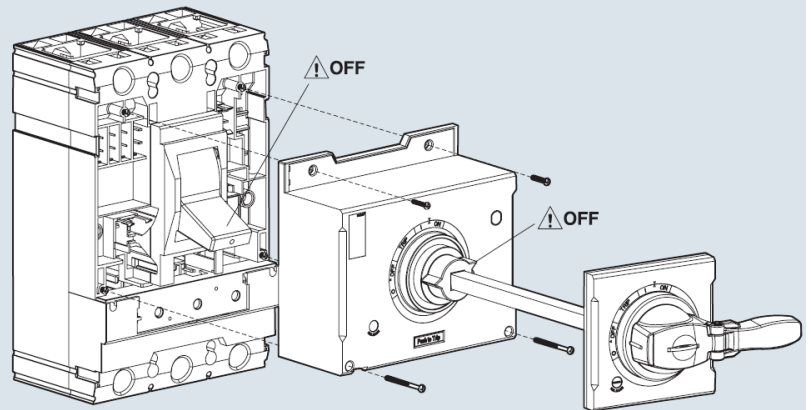
[mm]



Panel drilling



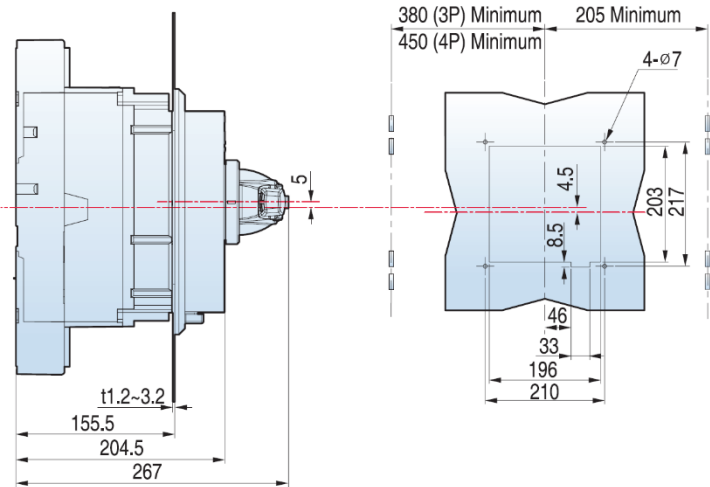
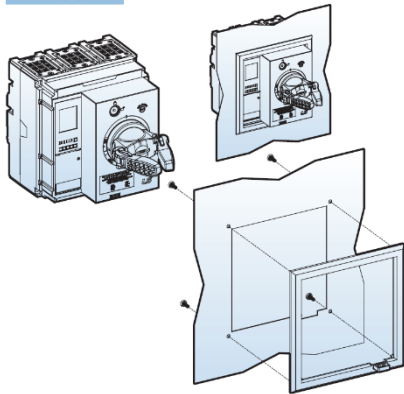
Way of installation



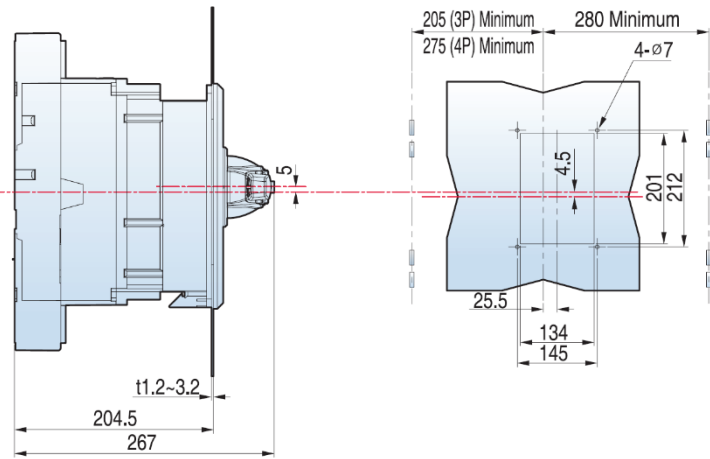
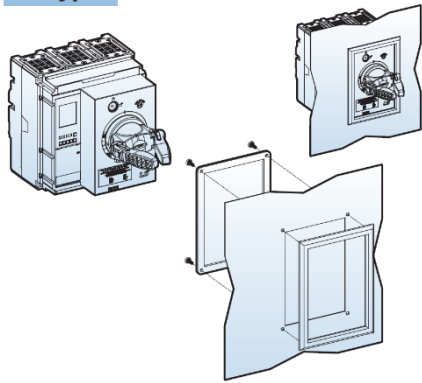
Direct and External Rotary Handles

LS-DHK5-TS Direct Rotary Handle with key lock to suit TS1000/1250/1600

A Type



B Type



LS-EH5-S-TS Extended Rotary Handle to suit TS1000/1250/1600

