

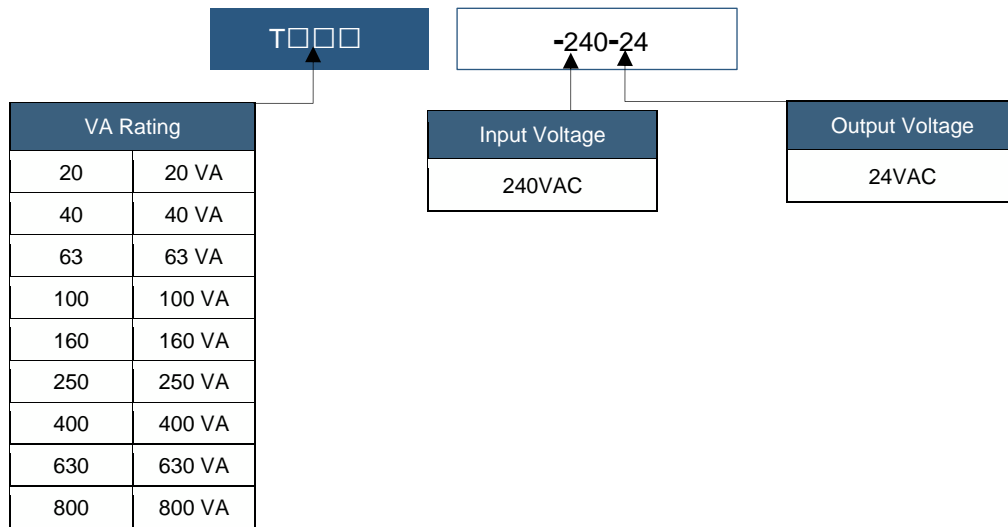
Catalogue number: **T□□□-240-20**

Standard Transformer 240V to 24V 20-800VA



Standard Transformer 240V to 24V

- Input Voltage: 240VAC
- Output Voltage: 24VAC
- IP Rating: IP2X
- Low loss Iron Core
- Separate Insulated Windings
- Slotted holes for fast Installation
- Manufactured to AS/NZS 61558



## Properties

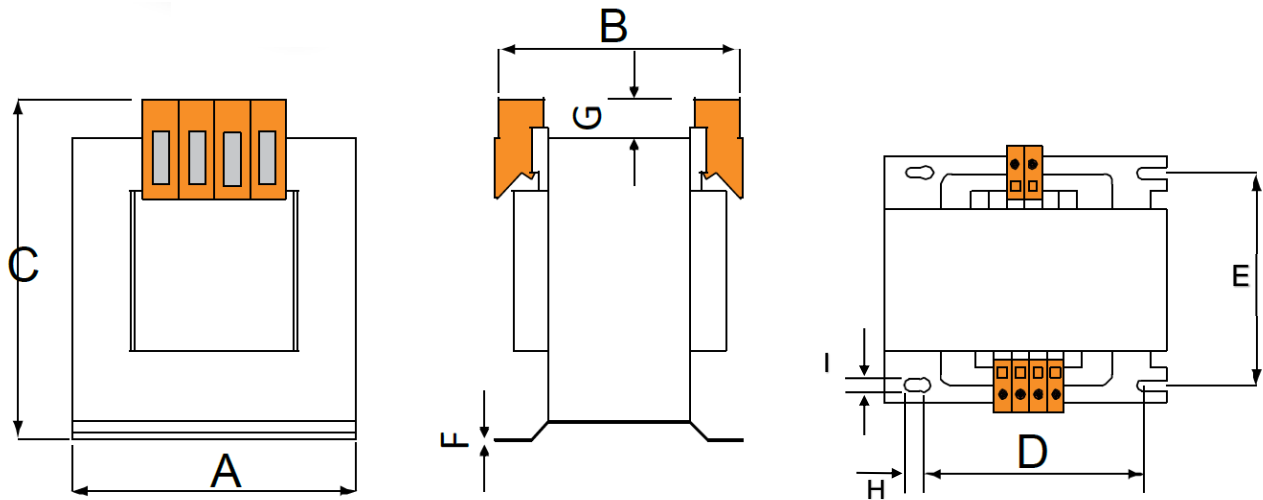
Properties	
Manufacturer	Altro
Product Range	Eureka Standard Transformers
IP Rating	IP2X
Input Voltage	240VAC
Output Voltage	24VAC
VA Rating	20,40,63,100,160,250,400,630,800
Frequency	50/60Hz
Voltage Compensation on primary	+/-5%
Temperature Rise	60°C
Insulation	Class F (155°C)
Enclosure Finishes	Powder Coated Steel Polycarbonate
Standards	AS/NZS 61558

Catalogue number: **T□□□-240-20**

Standard Transformer 240V to 24V 20-800VA



### Weight and Dimensions



Part No.	Weight	Dimensions/mm								
	Kg	A	B	C	D	E	F	G	H	I
T20-240-20	0.9	67	58	65	70	N/A	1.0	24	8	5
T40-240-20	1.4	78	72	95	56	46	1.2	18	8	4.6
T63-240-20	1.5	78	72	95	56	46	1.2	18	8	4.6
T100-240-20	1.9	87	75	98	64	62	1.5	16	8	4.6
T160-240-20	2.5	87	75	98	84	74	1.5	16	10	5.8
T250-240-20	3.4	96	92	110	84	85	1.5	16	10	5.8
T400-240-20	5.6	120	100	130	90	85	2.0	16	10	5.8
T630-240-20	8.4	150	110	155	122	90	2.0	18	14	7
T800-240-20	9.5	150	130	155	122	105	2.0	18	14	7

NOTE: T20-240-20; DOES NOT HAVE  $\pm 5\%$  TAPS, MOUNTING BY 2 POINT SADDLE BRACKETS.