

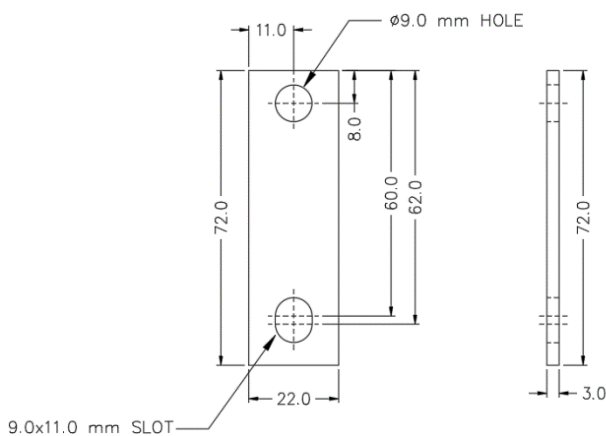
Space for Photo

- The Eureka range of Distribution boards have been adapted to fit a unique metering system which is easily fitted to new Eureka Distribution boards.
- The system can also be fitted to standalone EMS style or flat pan MCB chassis with the simple addition of numerous copper tags and shrouds.

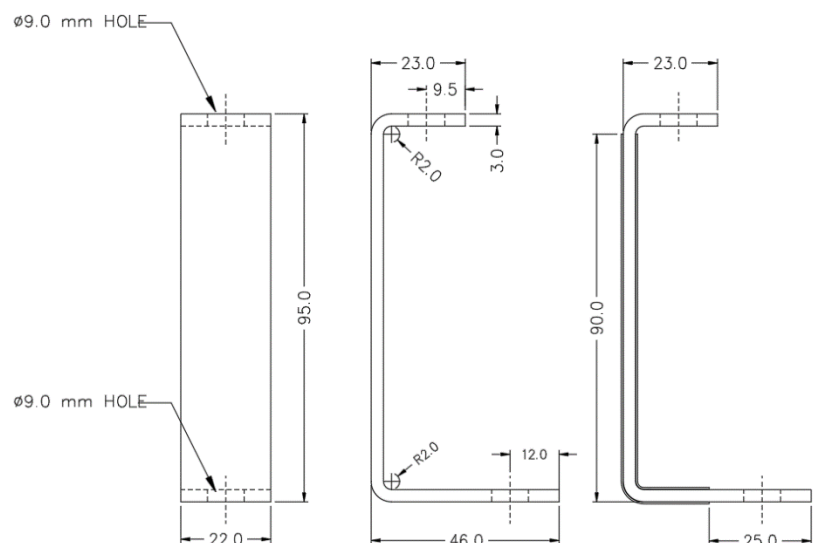
Part No.	Inclusive Parts	Description
DB-MET KIT 1	DB-METTAGS1 DB-CENTRE SHROUD DB-MSCOVER EXT Nuts, Bolts & Washers	CT mounting kit to suit EMS chassis metering
DB-MET KIT 2	DB-METTAGS1 DB-METTAGS2 DB-CENTRE SHROUD DB-MSCOVER EXT Nuts, Bolts & Washers	CT mounting kit to suit flat pan single and multiple chassis

## Dimensions

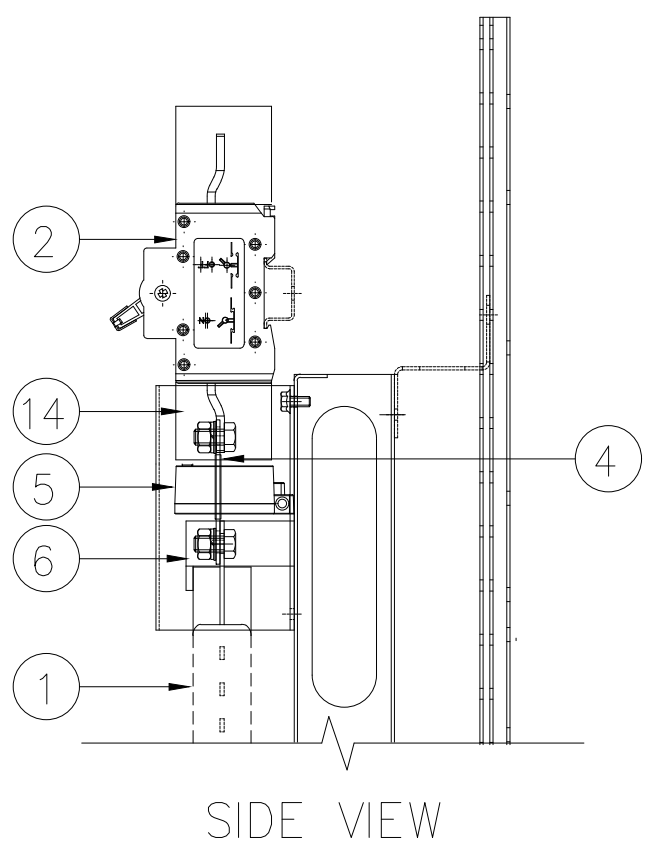
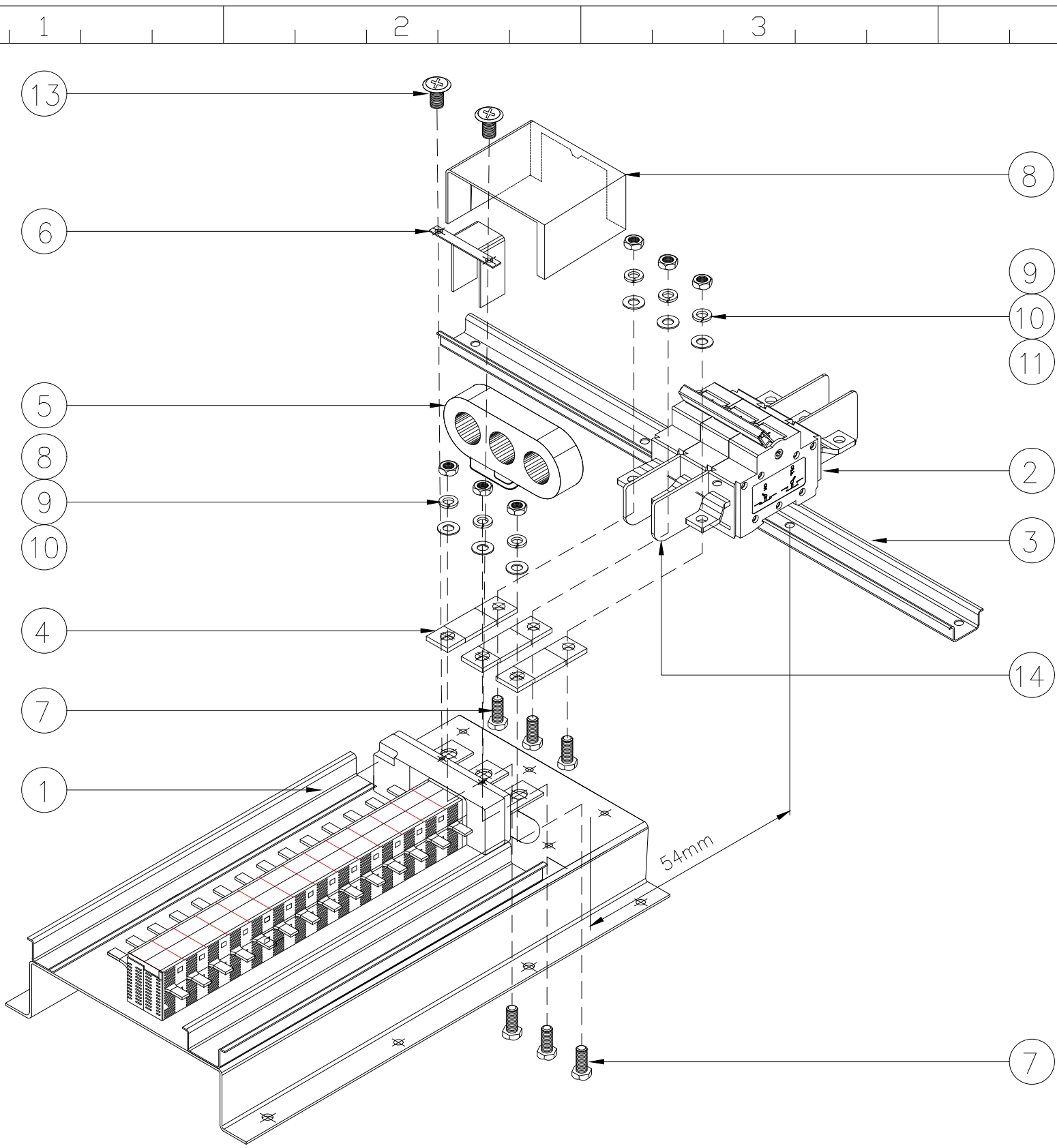
### DB-METTAGS1



### DB-METTAGS2



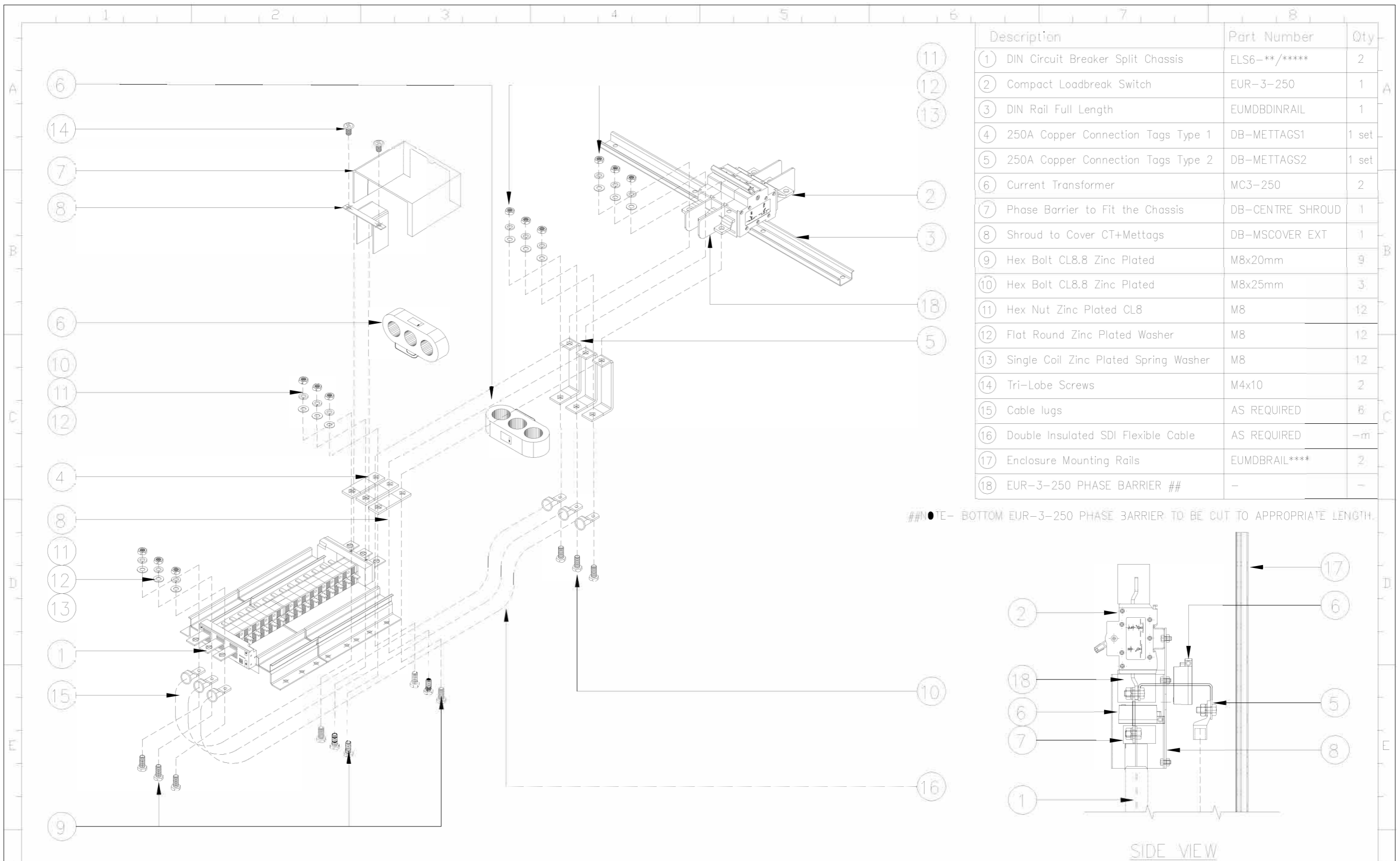




Description	Part Number	Qty
① DIN Circuit Breaker Chassis EMS Type	ELS6-*/**/*EM1	1
② Compact Loadbreak Switch	EUR-3-250	1
③ DIN Rail Full Length	EUMDBDINRAIL	1
④ 250A Copper Connection Tags Type 1	DB-METTAGS1	1 set
⑤ Current Transformer	MC3-250	1
⑥ Phase Barrier to Fit the Chassis	DB-CENTRE SHROUD	1
⑦ Hex Bolt CL8.8 Zinc Plated	M8x20mm	6
⑧ Shroud to Cover CT+Mettags	DB-MSCOVER EXT	1
⑩ Hex Nut Zinc Plated CL8	M8	6
⑪ Flat Round Zinc plated Washer	M8	6
⑫ Single Coil Zinc plated Spring Washer	M8	6
⑬ Tri-Lobe Screws	M4x10	2
⑭ EUR-3-250 PHASE BARRIER ##	-	-

##NOTE- BOTTOM EUR-3-250 PHASE BARRIER TO BE CUT TO APPROPRIATE LENGTH.

					SCALE: 1:5	<b>EUREKA DISTRIBUTION BOARD EMS CHASSIS METERING INSTRUCTION SHEET</b> <b>DB-MET KIT 1</b>		A4
					ENGINEERED M.M.			PAGE 1
					DRAWN M.M.			OF 1
					APPROVED			
2	ISSUED FOR INFORMATION	15.12.20	S.F.		DATE 15.10.2014	DRAWING No. 5000-5401	REV: 2	
1	ISSUED FOR INFORMATION	17.06.20	S.F.					
0	ISSUED FOR APPROVAL	15.10.14	M.M.	M.M.				
REV	DESCRIPTION	DATE	DRAWN	APPROVED	DATE			



Description	Part Number	Qty
① DIN Circuit Breaker Split Chassis	ELS6-*/****	2
② Compact Loadbreak Switch	EUR-3-250	1
③ DIN Rail Full Length	EUMDBDINRAIL	1
④ 250A Copper Connection Tags Type 1	DB-METTAGS1	1 set
⑤ 250A Copper Connection Tags Type 2	DB-METTAGS2	1 set
⑥ Current Transformer	MC3-250	2
⑦ Phase Barrier to Fit the Chassis	DB-CENTRE SHROUD	1
⑧ Shroud to Cover CT+Mettags	DB-MSCOVER EXT	1
⑨ Hex Bolt CL8.8 Zinc Plated	M8x20mm	9
⑩ Hex Bolt CL8.8 Zinc Plated	M8x25mm	3
⑪ Hex Nut Zinc Plated CL8	M8	12
⑫ Flat Round Zinc Plated Washer	M8	12
⑬ Single Coil Zinc Plated Spring Washer	M8	12
⑭ Tri-Lobe Screws	M4x10	2
⑮ Cable lugs	AS REQUIRED	6
⑯ Double Insulated SDI Flexible Cable	AS REQUIRED	-m
⑰ Enclosure Mounting Rails	EUMDBRAIL****	2
⑱ EUR-3-250 PHASE BARRIER ##	-	-

##NOTE- BOTTOM EUR-3-250 PHASE BARRIER TO BE CUT TO APPROPRIATE LENGTH.

REV	DESCRIPTION	DATE	DRAWN	APPROVED	DATE
3	ISSUED FOR INFORMATION	15.12.2020	S.F.		
2	ISSUED FOR INFOMATION	17.06.2020	S.F.		
1	ISSUED FOR INFORMATION	18.10.2017	D.J.		
0	ISSUED FOR APPROVAL	13.11.2014	M.M.		

SCALE	DATE
ENGINEERED	13.11.2014
APPROVED	

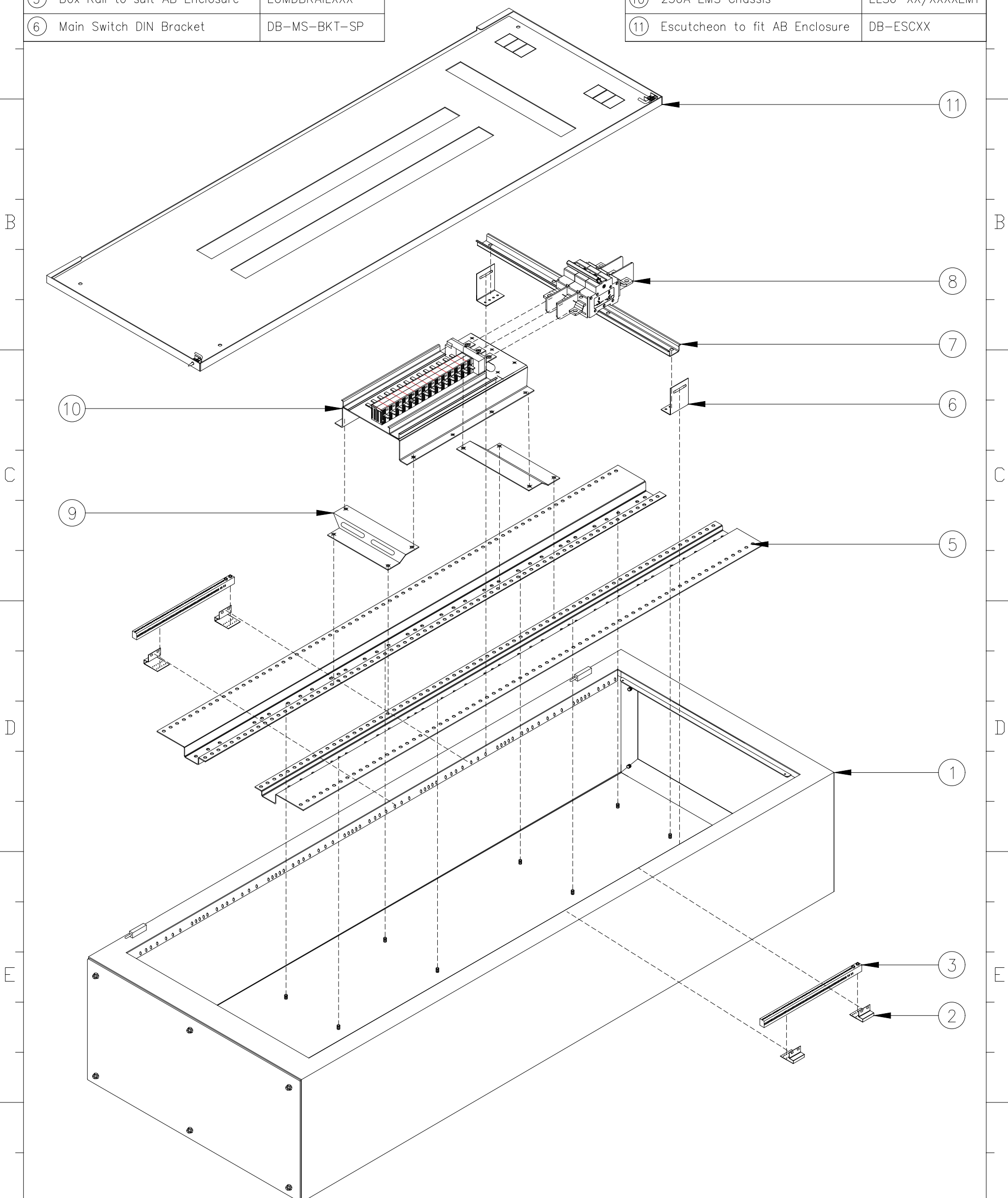
SCALE: N.T.S.  
ENGINEERED: M.M.  
DRAWN: M.M.  
APPROVED:  
EUREKA DISTRIBUTION BOARD  
SPLIT CHASSIS METERING  
INSTRUCTION SHEET  
DB-MET KIT 2

**NAW CONTROLS** *Eureka*  
98 Commercial Drive, Thomastown VIC 3074  
www.nawcontrols.com.au  
www.eurekaelectrical.com.au  
DRAWING No. 5000-5402 REV: 3

A3
PAGE 1
OF 1

Description	Part Number
① Accessory Box IP42	ABXX-G/OR
③ Earth and Neutral bracket	DB-ENLBKT
④ Earth/Neutral Bar	NE-250F-POXXX
⑤ Box Rail to suit AB Enclosure	EUMDBRAILXXX
⑥ Main Switch DIN Bracket	DB-MS-BKT-SP

Description	Part Number
⑦ 35mm DIN Rail Full Length	EUMDBDINRAIL
⑧ 250A Load Breaker Switch	EUR-3-250
⑨ Chassis Mounting bracket	DB-CB-EUR
⑩ 250A EMS Chassis	ELS6-XX/XXXEM1
⑪ Escutcheon to fit AB Enclosure	DB-ESCXX



REV	DESCRIPTION	DATE	DRAWN	APPROVED	DATE
0	ISSUED FOR INFORMATION	15.12.20	S.F.		15.12.2020

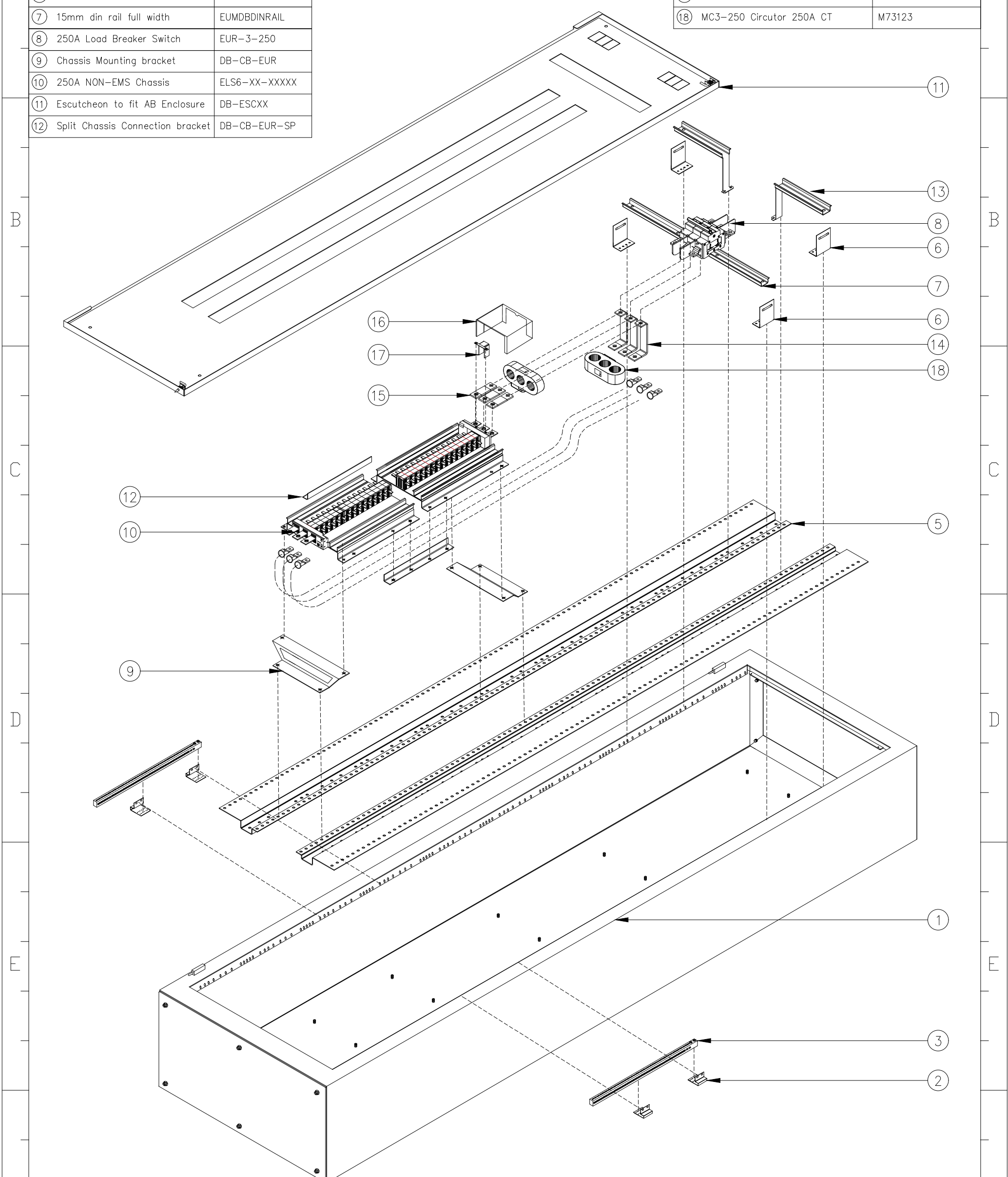
SCALE:	NTS
ENGINEERED	S.F.
DRAWN	S.F.
APPROVED	

EUREKA DISTRIBUTION BOARD  
MDB ASSEMBLY  
INSTRUCTION SHEET  
EUR-MDB\*\*G/OR

  <small>98 Commercial Drive, Thomastown VIC 3074 www.nawcontrols.com.au www.eurekaelectrical.com.au</small>	A4
	PAGE 1 OF 1
DRAWING No. 5000-5401	REV: 0

Description	Part Number
① Accessory Box IP42	ABXX-G/OR
③ Earth and Neutral bracket	DB-ENLBKT
④ Earth/Neutral Bar	NE-250F-POXXX
⑤ Box Rail to suit AB Enclosure	EUMDBRAILXXX
⑥ Main Switch DIN Bracket	DB-MS-BKT-SP
⑦ 15mm din rail full width	EUMDBDINRAIL
⑧ 250A Load Breaker Switch	EUR-3-250
⑨ Chassis Mounting bracket	DB-CB-EUR
⑩ 250A NON-EMS Chassis	ELS6-XX-XXXX
⑪ Escutcheon to fit AB Enclosure	DB-ESCXX
⑫ Split Chassis Connection bracket	DB-CB-EUR-SP

Description	Part Number
⑬ 15mm din rail to suit METERING	EUMETDINRAIL
⑭ Metering tags to suit Split-Chassis	DB-METTACS2
⑮ Metering tags to suit EMS Chassis	DB-METTACS1
⑯ Shroud to Cover CT+Mettags	DB-MSCOVER EXT
⑰ Phase Barrier to Fit the Chassis	DB-CENTRE SHROUD
⑱ MC3-250 Circutor 250A CT	M73123



REV	DESCRIPTION	DATE	DRAWN	APPROVED	DATE
0	ISSUED FOR INFORMATION	15.12.20	S.F.		15.12.2020

SCALE: NTS  
 ENGINEERED S.F.  
 DRAWN S.F.  
 APPROVED  
**EUREKA DISTRIBUTION BOARD  
 SPLIT CHASSIS ASSEMBLY  
 WITH MET DINRAILS**  
**EUREKA SPLIT CHASSIS**

**NAW CONTROLS** *Eureka*  
 98 Commercial Drive, Thomastown VIC 3074  
 www.nawcontrols.com.au  
 www.eurekaelectrical.com.au

DRAWING No. 5000-5401 REV: 0

A4 PAGE 1 OF 1